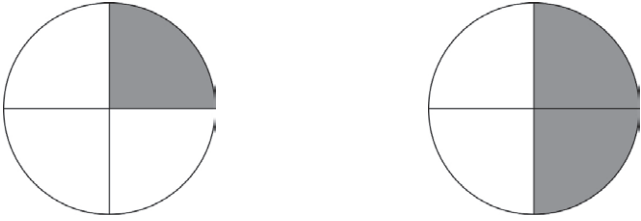



# Comparing Fractions

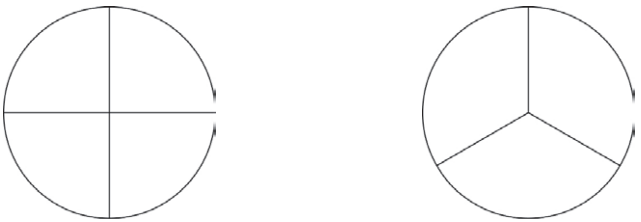
Shade correctly and write  $<$ ,  $>$  or  $=$  to compare the fractions.



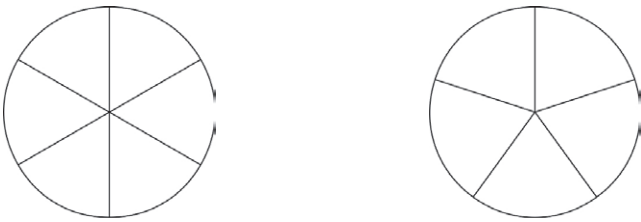
$\frac{1}{4}$    $\frac{2}{4}$



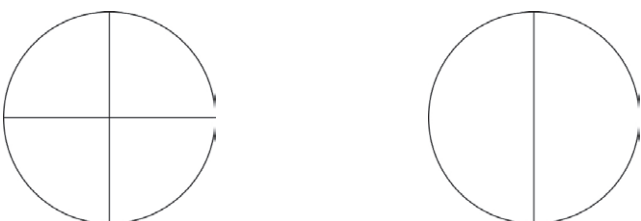
$\frac{1}{2}$    $\frac{3}{4}$



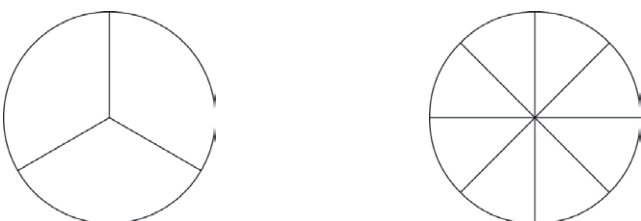
$\frac{3}{4}$    $\frac{2}{3}$



$\frac{4}{6}$    $\frac{1}{5}$



$\frac{4}{4}$    $\frac{1}{2}$



$\frac{1}{3}$    $\frac{3}{8}$

# Comparing Fractions - Answers

Shade correctly and write  $<$ ,  $>$  or  $=$  to compare the fractions.

